

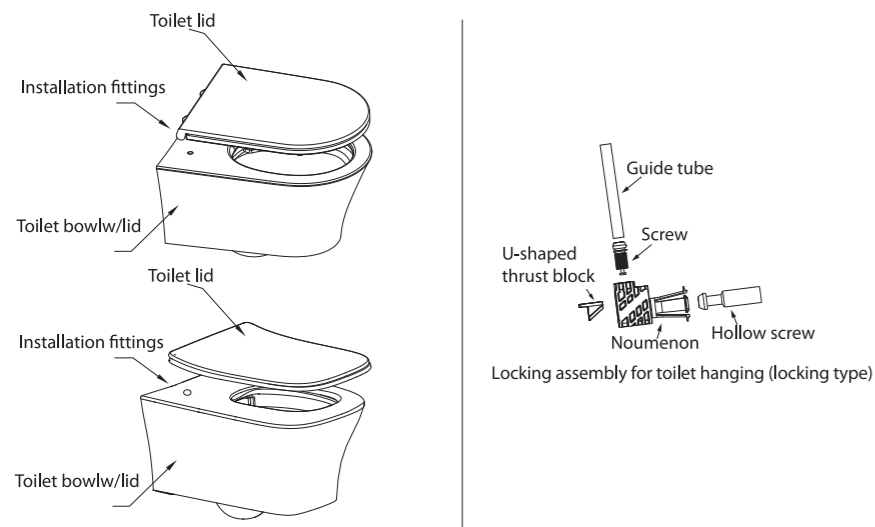
Notes:

1. Please leave the instructions for the end-user;
2. Please read the instructions carefully before installation;
3. Please install according to the relevant steps to avoid unnecessary losses due to improper installation;
4. Please prevail in kind for the illustrations of the products and components in the instructions are for reference only;
5. The instructions include installation, care and maintenance information;
6. The information is based on the latest product conditions at the time of printing. The company reserves the right to change product characteristics and packaging at any time without prior notice;
7. The nominal water consumption on the product and packaging box is the average water consumption of the supporting JOMOO 95043-00-I011 water tank.
8. Specifies that the supporting flushing device is JOMOO 95043-00-I011 water tank, which needs to be purchased by the user; If other non designated supporting flushing devices are selected, the flushing effect may be affected. (the following installation steps are described according to the configuration of JOMOO 95043 water tank)

Tools needed by user:

Adjustable wrench、Tape measure、Carpenter's level、Screwdrivers(⊕&⊖)、Cutter、Pencil、Glass glue、File、saw

Assembly drawing: Find the parts with the Parts List

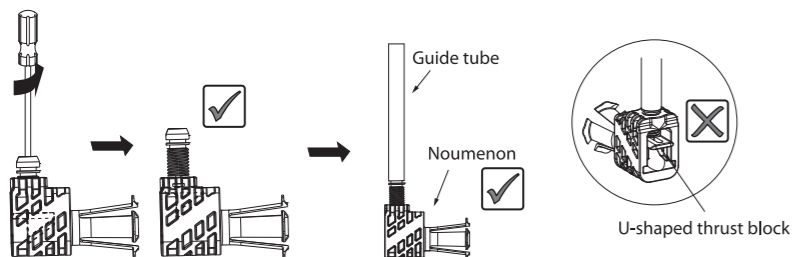


1>.Installation conditions

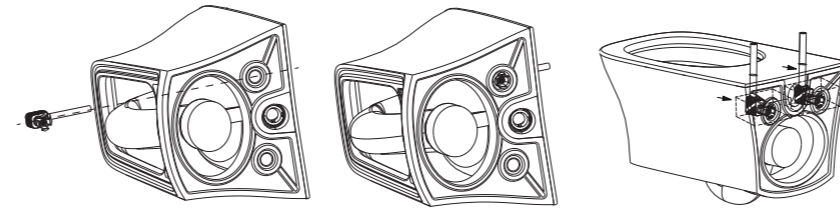
1. Before installation, the wall and floor tiles of the washroom should be completed and reserved for water supply and drainage pipes.
2. The location of the drainage pipe should meet the installation position of the toilet.
3. Be sure to clean up the debris in the pipeline and the installation surface to avoid causing blockage and water leakage.
4. Water supply pressure requirement: 0.05MPa~0.6MPa.

2>.Toilet bowl installation

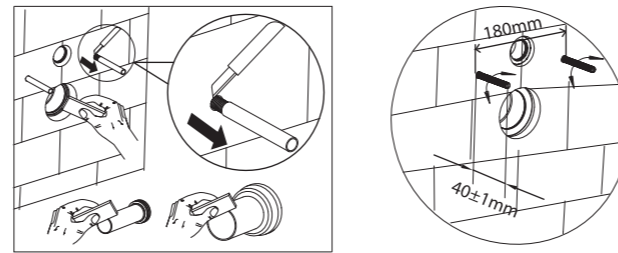
1. According to the installation instructions of the purchased water tank, install the water tank, water inlet pipe and drainage pipe.
2. As shown in the figure below, screw the locking assembly for toilet hanging to the loosest position with a screwdriver, make the U-shaped push block against the body, and then insert the guide pipe on the screw.



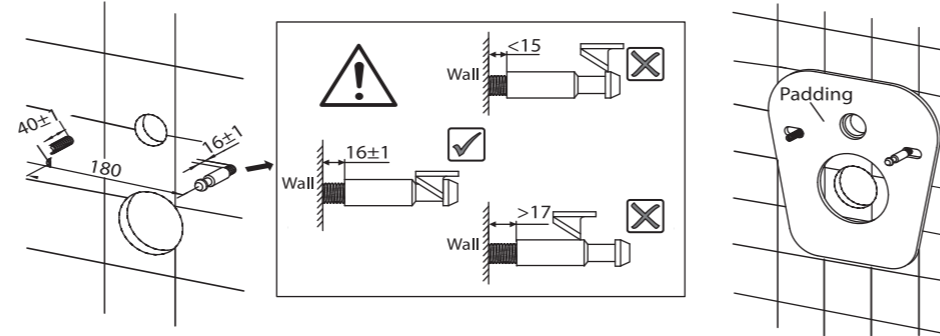
3. Place the porcelain body gently on the side on the flat ground, pay attention to protective measures to prevent the surface of the porcelain body from being scratched or broken. After the guide tube of the locking component passes through the cover plate mounting hole on the porcelain body, pinch the front end of the locking component body into the mounting hole on the back of the ceramic body. (when installing the locking component on the other side, please put the porcelain body on the other side again).



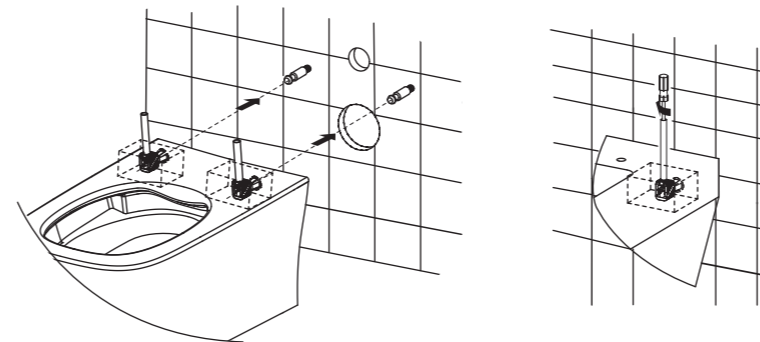
4. Select the installation hole with the bolt center distance of 180mm, install the bolt, cut off the protective sleeve exposed outside the wall with a knife, and apply silicone oil on the joint of straight pipe and elbow with a sponge with silicone oil. Adjust the length of the connecting bolt to 40±1mm (as shown in the figure)



5. Screw the hollow screw into the bolt, and the distance from the hollow screw to the installation wall after locking is 16 ± 1mm; Then hang the gasket on the bolt. (the gasket is the matched concealed water tank configuration)

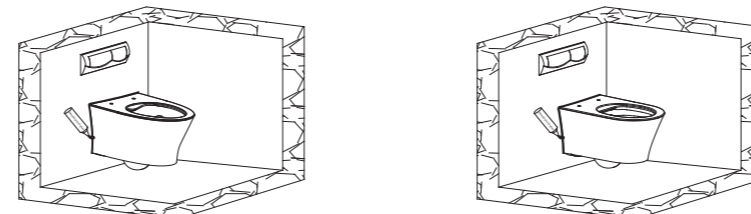


6. Hang the toilet on the installed hollow screw, close to the installation surface, adjust the toilet, then extend the screwdriver into the guide pipe, tighten the screws, pull out the guide pipe after tightening the screws, finally lock the toilet and remove the extra gasket along the shape of the toilet.



3>.Test flush

Turn on the water supply switch, carry out flushing operation, and check the water leakage in each connecting joint. After checking no abnormalities, evenly spread the anti mildew silica gel around the toilet. (Note: prohibit the use of cement installation, prohibit the use of epoxy resin glue installed.)



4>.Cover installation

Install and maintain according to the cover plate installation instructions. The cover plate metal bolt assembly is placed in the locking assembly box for toilet hanging. When installing the cover plate, it is necessary to take out the metal bolt assembly of the cover plate from the locking assembly box for toilet hanging to cooperate with the installation of the cover plate.

5>.User notes

1. Due to the bad water quality, it may cause mineral accumulation, scaling and yellowing, and reduced flushing functions. Those are normal, and it is recommended to clean with toilet detergent weekly.
2. Please do not throw plastic bags, rags, leftovers, and other items that may cause pipe clogging into the toilet to prevent the flushing pipe from being blocked.
3. The toilet with double flush device, please make sure to press the large button to flush after stooling. Never press both buttons at the same time.
4. The weight on the box is for reference only. The actual weight is subject to the actual product.
5. Do not use strong or corrosive detergent and goods such as nylon brushes or scouring pad, otherwise the surface of the toilet will be damaged.
6. To ensure better use experience, please fully open the toilet seat while using (recommended opening angle is not less than 100°).
7. After using the toilet or not using for a long time, please keep the toilet seat covered.
8. The water efficiency rate of the products comply with the requirements of GB 25502 The Water Consumption Efficiency Restricted Value and Water Efficiency Rate of Toilets. The water efficiency rates of toilets are as follows:

Water efficiency rating of the toilet seat	level 1	level 2	level3
Average water consumption of the toilet seat	≤4.0L	≤5.0L	≤6.4L
Full flush water consumption (Dual-flush toilet)	≤5.0L	≤6.0L	≤8.0L

Note: The average water consumption of half flush at each level should not be greater than the 70% of the full flush.

(Note: The water consumption and water efficiency level of the product you purchased are subject to the water consumption and water efficiency rate marked on the product.)

Warning

1. It is forbidden to use concrete or epoxy resin adhesive for installation, and JOMOO will be not responsible for all ruptures caused by incorrect installation.
2. Please use this product above 0 °C.
3. It is forbidden to hit the ceramic body to prevent damage, leakage, displacement, rollover, and personal injury.
4. It is forbidden to stand on the toilet seat to avoid accidents such as cracking of the cover, product damage or overturning, or personal falling.
5. It is forbidden to throw newspaper, diaper pads, women's sanitary napkins, wet paper towels, cotton pads, etc. into the toilet bowl.
6. It is forbidden to move or change the installation and use condition of the product at will. If you need to move it, please handle it with professionals to avoid unnecessary injury.
7. It is forbidden for young children to use under the supervision of non-adults.

6>.Scope of use

Installation is subject to the requirements of the applicable regulatory authority, the national construction code volume three—plumbing code of Australia, associated reference standards as applicable at the time and AS/NZS 3500.

For water supply use only.
Suitable for indoor use.

To install, tighten each inlet connection to 10Nm Max. torque.
Leakage test shall be done before first use.

Only qualified plumber for installation and maintenance.

Material of pan and cistern: Ceramic / Plastic

Max water supply temperature: cold water only, (4-40) °C

Operating pressure: (0.1-0.5MPa)

Only WaterMark certified components could be used to match with those WC pans & cisterns.

Inlet and outlet valves were supplied from our appointed components only.

JOMOO

JOMOO KITCHEN & BATH CO., LTD.

Add: JOMOO Industrial Park, Nan'an City, Fujian Province, China.
E-mail: jomoo@jomooogroup.com
Http: www.jomooogroup.com